



California Faucets®

Decorative Grab Bar

KNURLED END WITH CONCAVE BASE

Features

- All brass construction
- 1-1/4" diameter bar
- Concealed mounting
- Mounting hardware included

9412D-30K
9418D-30K
9424D-30K
9430D-30K
9436D-30K
9442D-30K
9448D-30K

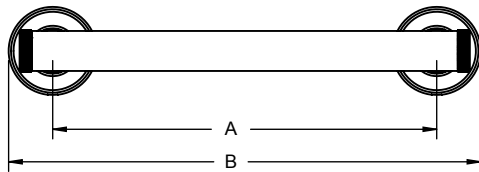


9418D-30K SHOWN

Codes/Standards Applicable

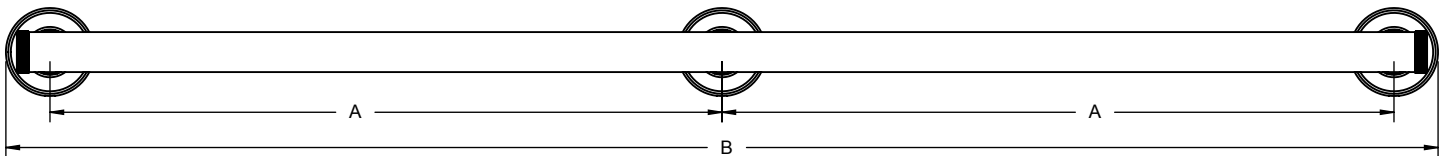
Product meets or exceeds the following:

- ADA compliant

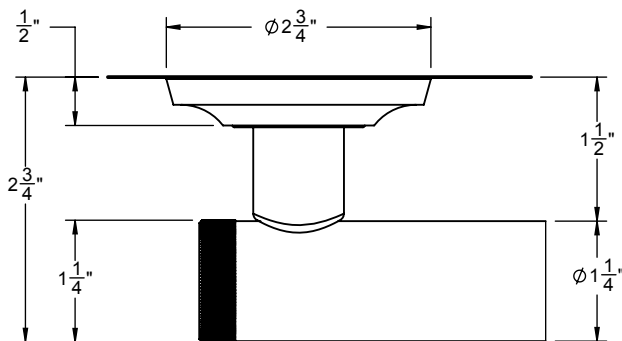


FRONT VIEW
(2 POST)

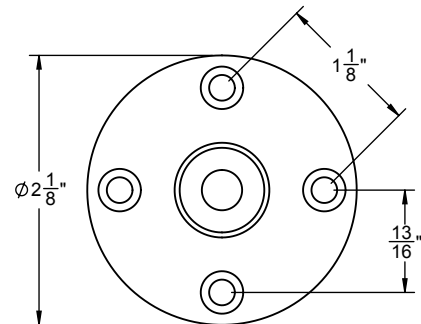
| | DECORATIVE GRAB BAR | DIM. A | DIM. B |
|--------|---------------------|--------|------------------------------------|
| 2 POST | 9412D-30K | 12" | 14 ¹³ / ₁₆ " |
| | 9418D-30K | 18" | 20 ¹³ / ₁₆ " |
| | 9424D-30K | 24" | 26 ¹³ / ₁₆ " |
| | 9430D-30K | 30" | 32 ¹³ / ₁₆ " |
| | 9436D-30K | 36" | 38 ¹³ / ₁₆ " |
| 3 POST | 9442D-30K | 21" | 44 ¹³ / ₁₆ " |
| | 9448D-30K | 24" | 50 ¹³ / ₁₆ " |



FRONT VIEW
(3 POST)



TOP VIEW



WALL MOUNT FLANGE

- (8X) - 2 POST GRAB BAR
#8 X 1-3/4" PHILLIPS HEAD SCREW
- (12X) - 3 POST GRAB BAR
#8 X 1-3/4" PHILLIPS HEAD SCREW

SPECIFICATIONS SUBJECT TO CHANGE WITHOUT NOTICE

ALL DIMENSIONS SHOWN TO NEAREST 1/16"